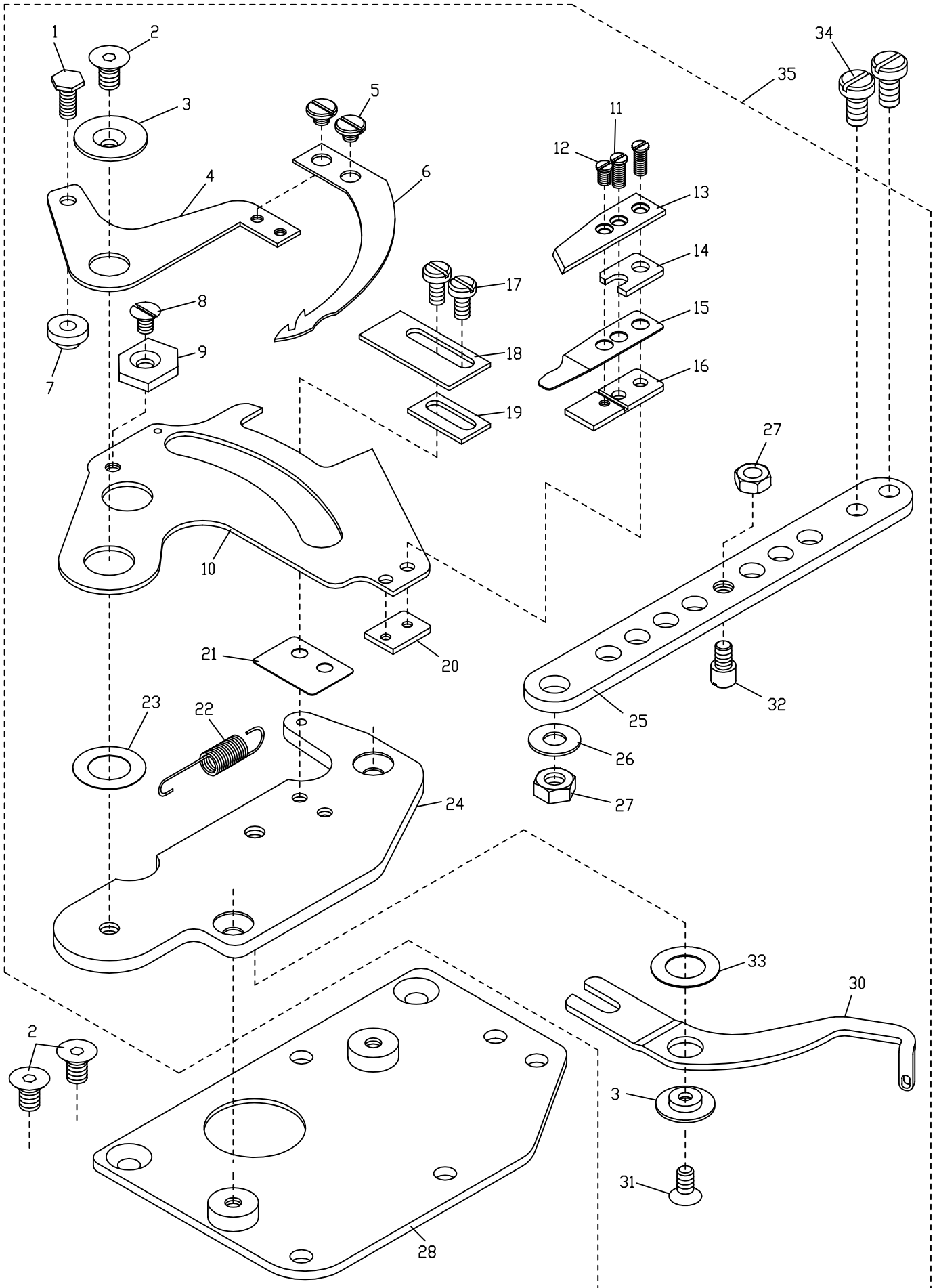


1. UTD/UTD02/UTD03/UTD04/UTD05/UTD07/UTD07B/UTD07F/UTD07BF/UTE
 UTE02/UTE07/UTE07F/PA 下切線機構 Under Trimmer Components

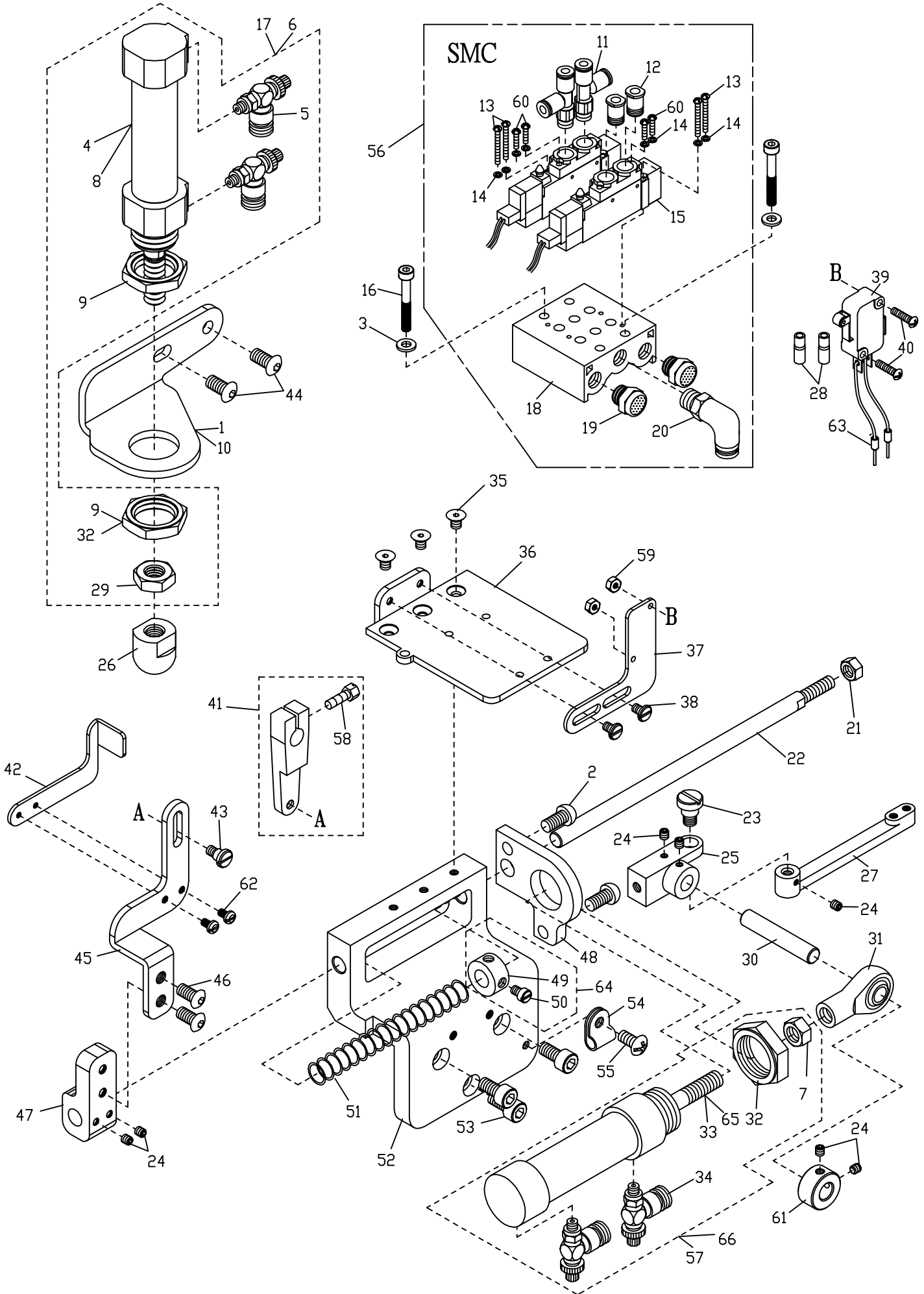


1.UTD/UTD02/UTD03/UTD04/UTD05/UTD07/UTD07B/UTD07F/UTD07BF/UTE
 UTE02/UTE07/UTE07F/PA 下切線機構 Under Trimmer Components

| 序號 Ref. No. | 物料編號 Parts No. | 名稱 Description | 單位用量 Amt.Req. |
|----------------|-------------------|--|------------------|
| 1 | 4UTD000101 | 螺絲 Screw ----- | 1 |
| 2 | 8MQ04280808A | 螺絲 Screw (UTB1-01-09 M4-0.7*8) ----- | 3 |
| 3 | 4UTD000103 | 調整隔環 Adjusting Ring ----- | 2 |
| 4 | 4UTD000104 | 活動刀座 Lower Knife Carrier ----- | 1 |
| 5 | 8MB03200306A | 螺絲 Screw (FT0208 M3-0.5*3) ----- | 2 |
| 6 | 4UTD000106 | 活動刀片 Lower Movable Knife ----- | 1 |
| 7 | 4UTD000107 | 隔環 Ring ----- | 1 |
| 8 | 8ME03200506A | 螺絲 Screw (CT0341 M3-0.5*5) ----- | 1 |
| 9 | 4UTD000109 | 定位塊 Stop Plate ----- | 1 |
| 10 | 4UTD000110 | 固定刀座 Lower Knife Holder ----- | 1 |
| 11 | 4UTD000111 | 螺絲 Screw ----- | 2 |
| 12 | 4UTD000112 | 螺絲 Screw ----- | 1 |
| 13 | 4UTD000113 | 固定刀片 Lower Fixed Knife ----- | 1 |
| 14 | 4UTD000114 | 上刀墊片 Upper Knife Carrier ----- | 1 |
| 15 | 4UTD000115 | 簧片 Clamp Spring ----- | 1 |
| 16 | 4UTD0001161 | 簧壓調整片 Clamp Spring Adjusting Piece ----- | 1 |
| 17 | 8MB03200506K | 螺絲 Screw (CT1351 M3-0.5*5) ----- | 2 |
| 18 | 4UTD000118 | 上刀定位塊 Upper Knife Carrier Stop ----- | 1 |
| 19 | 4UTD000119 | 定位塊 Carrier Stop ----- | 1 |
| 20 | 4UTD000120 | 墊片 Clamp Spring Pressure Holder ----- | 1 |
| 21 | 4UTD000121 | 定位墊片 Stop Washer ----- | 2 |
| 22 | 4UTD000122 | 彈簧 Spring ----- | 1 |
| 23 | 4UTD000123 | 墊片 Space Washer ----- | 1 |
| 24 | 4UTD000124 | 切線驅動座 Trimming Device Basement ----- | 1 |
| 25 | 4UTD0001251 | 連結桿 Connecting Rod ----- | 1 |
| 26 | 2100000223 | 墊片 Washer ----- | 1 |
| 27 | 8MA04280307A | 螺帽 Nut (CT0238 M4-0.7*3) ----- | 2 |
| 28 | 4UTD0001281 | 封蓋 Oil filter Cover ----- | 1 |
| 29 | ----- | ----- | - |
| 30 | 4UTD010130 | 鬆線板 Release Wedge----- | 1 |
| 31 | 8MQ04280608A | 螺絲 Screw (UTB1-01-07 M4-0.7*6) ----- | 1 |
| 32 | 8MB04280606A | 螺絲 Screw (M4-0.7*6) ----- | 1 |
| 33 | 4UTD000133 | 墊片 Washer ----- | 1 |
| 34 | 8MB04280807K | 螺絲 Screw (CT0215 M4-0.7*8) ----- | 2 |
| 35 | 4UTD00A0124 | 下切線組 Under Trimmer Components ----- | 1 |

UTD / UTE : 用於 FT6500 機型
 UTD02 / UTE02 : 用於 FT7000 機型
 UTD03 : 用於 FT7000 含 MN003 機型
 UTD04 : 用於 FT7060 機型
 UTD05 : 用於 FT7060 含 MN003 機型
 UTD07 / UTE07 : 用於 FTD7000 機型
 UTD07B : 用於 FTD7060 機型
 UTD07BF : 用於 FTU7060 機型
 UTD07F/UTE07F : 用於 FTU7000 機型

2. UTD07/UTD07B/UTD07F/UTD07BF/UTD08/UTD08B/UTD08F/UTD07BF 空壓組件 Compressed Air Components



2. UTD07/UTD07B/UTD07F/UTD07BF/UTD08/UTB08B/UTB08F/UTB08BF

空壓組件 Compressed Air Components

| 序號 Ref. No. | 物料編號 Parts No. | 名 Description | 稱 | 單位用量 Amt.Req. |
|----------------|-------------------|----------------------------------|---|------------------|
| 1 | 4UTB030216 | 固定座 Bracker | | 1 |
| 2 | 8MP06401211A | 螺絲 Screw (UTB0302 M6-1*12) | | 2 |
| 3 | 90SW040 | 彈簧墊圈 Spring Washer | | 2 |
| 4 | 4UTB030223 | 氣壓缸 Cylinder | | 1 |
| 5 | 4UTB000305 | 節流閥 Speed Controller | | 2 |
| *6 | 4UTB02FA0217 | 氣壓缸組 Cylinder Asm | | 1 |
| 7 | 8MA08500613A | 螺帽 Nut (RP10208 M8-1.25*6) | | 1 |
| *8 | 4UTB02F0223 | 氣壓缸 Cylinder | | 1 |
| *9 | 8MA22600630A | 螺帽 Nut (M22-1.5*6) | | 2 |
| *10 | 4UTB02F0216 | 固定座 Bracker | | 1 |
| 11 | 4UTB010311S | 空氣管接頭 Connector | | 2 |
| 12 | 4UTB010312S | 空氣管接頭 Connector | | 2 |
| 13 | 4UTB010313S | 螺絲 Screw | | 4 |
| 14 | 4UTB010314S | 彈簧墊圈 Spring Washer | | 8 |
| 15 | 4UTB010315S | 換向閥 Electromagnetic Valve | | 2 |
| 16 | 8MM04283007B | 螺絲 Screw (UTB01-03-16 M4-0.7*30) | | 2 |
| 17 | 4UTB03A0217 | 氣壓缸組 Cylinder Asm | | 1 |
| 18 | 4UTB010318S | 換向閥座 Electromagnetic Valve Base | | 1 |
| 19 | 4UTG010319S | 消音器 Silencer | | 2 |
| 20 | 4UTB020266S | 空氣管接頭 Elbow Connector | | 1 |
| 21 | 8MA08500513A | 螺帽 Nut (FTC10126 M8-1.25*5) | | 1 |
| 22 | 4UTD000222 | 軸 Shaft | | 1 |
| 23 | 4UTD000223 | 螺樁 Stud | | 1 |
| 24 | 8MN04280400A | 螺絲 Screw (CT0229 M4-0.7*4) | | - |
| 25 | 4UTD000225 | 承座 Plunger | | 1 |
| 26 | 4PFE010113 | 套管 Clutch Sleeve | | 1 |
| 27 | 4UTD000227I | 連結桿 Connecting Rod | | - |
| 28 | 4UTB020228 | 絕緣套管 Bushing | | 2 |
| 29 | 8MA10600617A | 螺帽 Nut | | 1 |
| 30 | 4UTB000325I | 軸 Shaft | | 1 |
| 31 | 4UTD000231 | 球軸連桿 Plunger Connecting Rod | | 1 |
| 32 | 8MA22600627A | 螺帽 Nut | | 2 |
| 33 | 4UTD000233 | 氣壓缸 Cylinder | | - |
| 34 | 4UTB000344 | 節流閥 Speed Controller | | 2 |
| 35 | 8MQ04280808A | 螺絲 Screw (UTB0109 M4-0.7*8) | | 3 |
| 36 | 4UTB0003322 | 基板 Base | | 1 |
| 37 | 4UTD000237 | 安全開關座 Safety Switch Bracket | | 1 |
| 38 | 8MB04280507K | 螺絲 Screw (FT0235 M4-0.7*5) | | 2 |
| 39 | 4UTB000336 | 安全開關 Safety Switch | | 1 |
| 40 | 8MC03201606D | 螺絲 Screw (UTB03351 M3-0.5*16) | | 2 |
| 41 | 4UTB010337 | 曲柄 Tension Release Lever | | 1 |
| 42 | 4UTD000242 | 支架 Holder Bracket | | 1 |
| 43 | 8MB04280908G | 螺樁 Stud (UTB0339 M4-0.7*8) | | 1 |
| 44 | 8MP06401211A | 螺絲 Screw (UTB0302 M6-1*12) | | 2 |
| 45 | 4UTD000245 | 連桿 Connecting Plate | | 1 |
| 46 | 8MP05320810A | 螺絲 Screw (STB0117 M5-0.8*8) | | 2 |
| 47 | 4UTD000247 | 連結塊 Connecting Block | | 1 |
| 48 | 4UTD000248 | 氣缸座 Cylinder Barcket | | 1 |
| 49 | 4UTB010245 | 定位環 Collar | | 1 |
| 50 | 8MC95300606F | 螺絲 Screw (CT0823 M4.5-0.75*5) | | 1 |
| 51 | 4UTB000346 | 彈簧 Spring | | 1 |
| 52 | 4UTD000252 | 空壓組件座 Trimming Cylinder Support | | 1 |
| 53 | 8MM06401210A | 螺絲 Screw (FT1103 M6-1*12) | | 3 |
| 54 | 4UTD000254 | 線夾 Cord Clamp | | 1 |
| 55 | 8MC04280807D | 螺絲 Screw (CT0130 M4-0.7*8) | | 1 |
| 56 | 4UTB01A03491S | 換向閥組 Electromagnetic Valve Asm. | | 1 |
| 57 | 4UTD01A0257 | 氣壓缸組 Cyliner Asm | | - |
| 58 | 8MK95301407A | 螺絲 Screw (CT0837 M4.5-0.75*14) | | 1 |
| 59 | 8MA03200306A | 螺帽 Nut (FTB0111 M3-0.5*3) | | 2 |
| 60 | 4UTB010362S | 螺絲 Screw | | 4 |
| 61 | 4UTB010152 | 定位環 Collar | | 1 |
| 62 | 8MB03200506K | 螺絲 Screw (CT0525 M3-0.5*5) | | 2 |
| 63 | 4UTB020272 | 公端子 Power cord | | 2 |
| 64 | 4UTB01A0255 | 定位環組 Collar Asm | | 1 |
| 65 | 4UTD060278 | 氣壓缸 Cylinder | | - |
| 66 | 4UTD06A0279 | 氣壓缸組 Cyliner Asm | | - |

* For UTD07F / UTD07BF 用

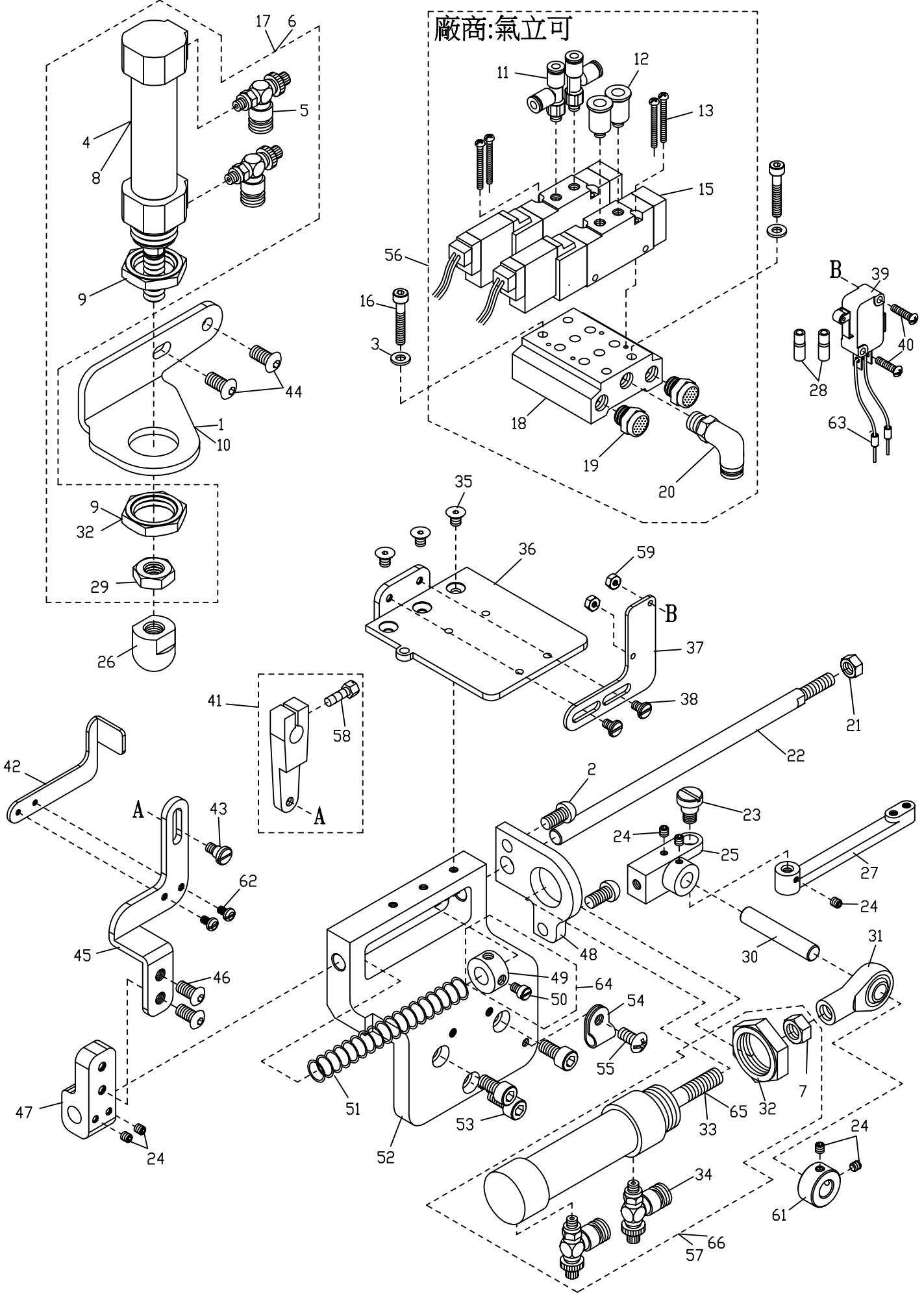
機型 Model UTD07 / UTD07B / UTD07F / UTD07BF

| 序號 Ref.No. | 24 | 27 | 33 | 57 |
|------------|----|----|----|----|
| 用量 Req. | 7 | 1 | 1 | 1 |

機型 Model UTD08 / UTD08B / UTD08F / UTD08BF

| 序號 Ref.No. | 24 | 27 | 65 | 66 |
|------------|----|----|----|----|
| 用量 Req. | 6 | - | 1 | 1 |

3. UTD07C / UTD07BC / UTD07FC / UTD07BFC / UTD08C / UTD08BC
 UTD08FC / UTD08BFC 空壓組件 Compressed Air Components



3. UTD07C/UTD07BC/UTD07FC/UTD07BFC/UTD08C/UTD08BC/UTD08FC/UTD08BFC

空壓組件 Compressed Air Components

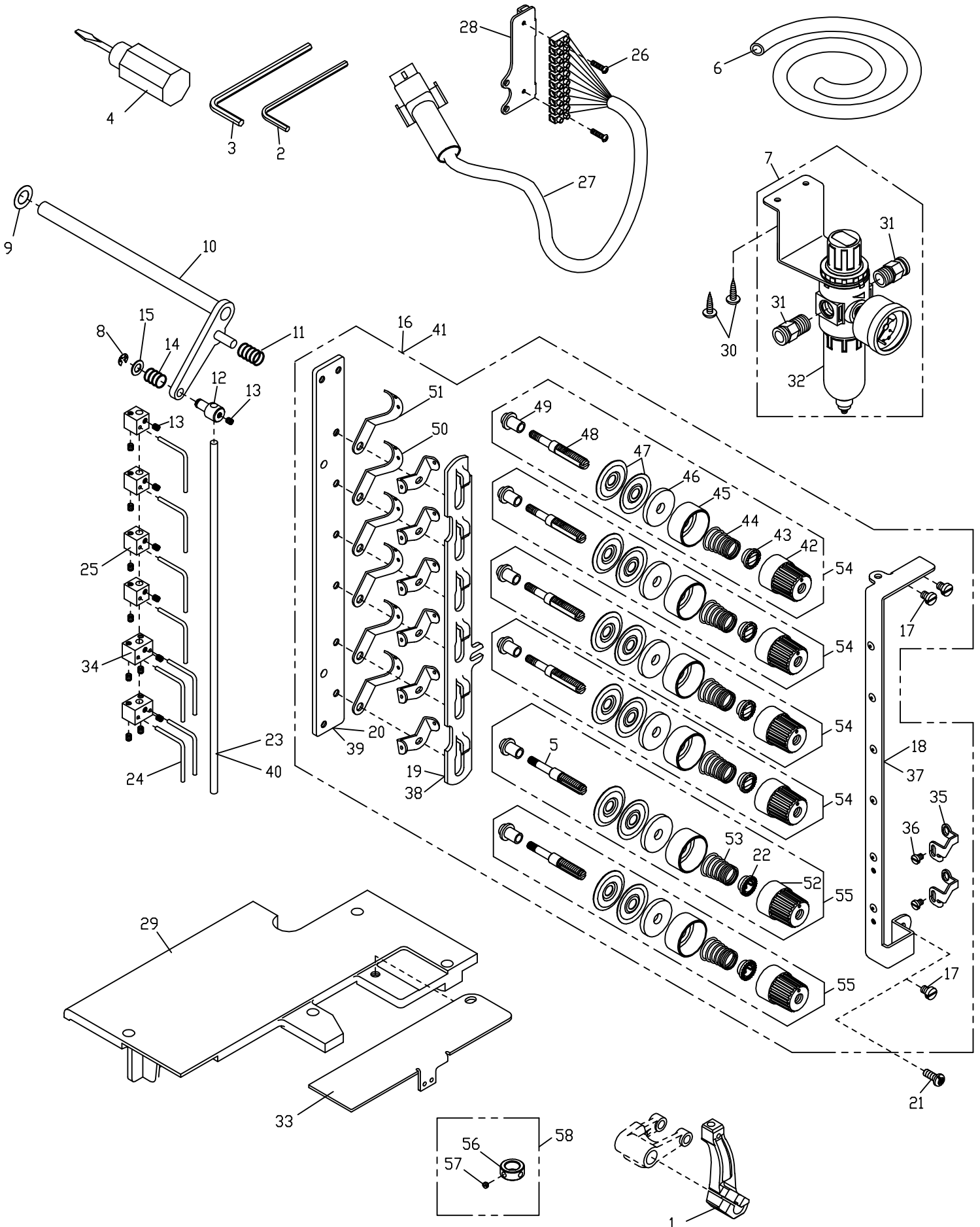
| 序號 Ref. No. | 物料編號 Parts No. | 名 Description | 稱 | 單位用量 Amt.Req. |
|----------------|-------------------|---------------------------------|---|------------------|
| 1 | 4UTB030216 | 固定座 Bracker | | 1 |
| 2 | 8MP06401211A | 螺絲 Screw (UTB0302 M6-1*12) | | 2 |
| 3 | 90SW040 | 彈簧墊圈 Spring Washer | | 2 |
| 4 | 4UTB030223 | 氣壓缸 Cylinder | | 1 |
| 5 | 4UTB000305 | 節流閥 Speed Controller | | 2 |
| *6 | 4UTB02FA0217 | 氣壓缸組 Cylinder Asm | | 1 |
| 7 | 8MA08500613A | 螺帽 Nut (RP10208 M8-1.25*6) | | 1 |
| *8 | 4UTB02F0223 | 氣壓缸 Cylinder | | 1 |
| *9 | 8MA22600630A | 螺帽 Nut (M22-1.5*6) | | 2 |
| *10 | 4UTB02F0216 | 固定座 Bracker | | 1 |
| 11 | 4UTB0103111 | 空氣管接頭 Connector | | 2 |
| 12 | 4UTB0103121 | 空氣管接頭 Connector | | 2 |
| 13 | 4UTB0103131 | 螺絲 Screw (UTB0313 M2.5*0.45*25) | | 4 |
| 14 | | | | - |
| 15 | 4UTB0103151 | 換向閥 Electromagnetic Valve | | 2 |
| 16 | 8MM04282507B | 螺絲 Screw (FT0719 M4-0.7*25) | | 2 |
| 17 | 4UTB03A0217 | 氣壓缸組 Cylinder Asm | | 1 |
| 18 | 4UTB0103181 | 換向閥座 Electromagnetic Valve Base | | 1 |
| 19 | 4UTG010319 | 消音器 Silencer | | 2 |
| 20 | 4UTB0202661 | 空氣管接頭 Elbow Connector | | 1 |
| 21 | 8MA08500513A | 螺帽 Nut (FTC10126 M8-1.25*5) | | 1 |
| 22 | 4UTD000222 | 軸 Shaft | | 1 |
| 23 | 4UTD000223 | 螺樁 Stud | | 1 |
| 24 | 8MN04280400A | 螺絲 Screw (CT0229 M4-0.7*4) | | - |
| 25 | 4UTD000225 | 承座 Plunger | | 1 |
| 26 | 4PFE010113 | 套管 Clutch Sleeve | | 1 |
| 27 | 4UTD0002271 | 連結桿 Connecting Rod | | - |
| 28 | 4UTB020228 | 絕緣套管 Bushing | | 2 |
| 29 | 8MA10600617A | 螺帽 Nut | | 1 |
| 30 | 4UTB0003251 | 軸 Shaft | | 1 |
| 31 | 4UTD000231 | 球軸連桿 Plunger Connecting Rod | | 1 |
| 32 | 8MA22600627A | 螺帽 Nut | | 2 |
| 33 | 4UTD000233 | 氣壓缸 Cylinder | | - |
| 34 | 4UTB000344 | 節流閥 Speed Controller | | 2 |
| 35 | 8MQ04280808A | 螺絲 Screw (UTB0109 M4-0.7*8) | | 3 |
| 36 | 4UTB0003322 | 基板 Base | | 1 |
| 37 | 4UTD000237 | 安全開關座 Safety Switch Bracket | | 1 |
| 38 | 8MB04280507K | 螺絲 Screw (FT0235 M4-0.7*5) | | 2 |
| 39 | 4UTB000336 | 安全開關 Safety Switch | | 1 |
| 40 | 8MC03201606D | 螺絲 Screw (UTB03351 M3-0.5*16) | | 2 |
| 41 | 4UTB010337 | 曲柄 Tension Release Lever | | 1 |
| 42 | 4UTD000242 | 支架 Holder Bracket | | 1 |
| 43 | 8MB04280908G | 螺樁 Stud (UTB0339 M4-0.7*8) | | 1 |
| 44 | 8MP06401211A | 螺絲 Screw (UTB0302 M6-1*12) | | 2 |
| 45 | 4UTD000245 | 連桿 Connecting Plate | | 1 |
| 46 | 8MP05320810A | 螺絲 Screw (STB0117 M5-0.8*8) | | 2 |
| 47 | 4UTD000247 | 連結塊 Connecting Block | | 1 |
| 48 | 4UTD000248 | 氣缸座 Cylinder Barcket | | 1 |
| 49 | 4UTB010245 | 定位環 Collar | | 1 |
| 50 | 8MC95300606F | 螺絲 Screw (CT0823 M4.5-0.75*5) | | 1 |
| 51 | 4UTB000346 | 彈簧 Spring | | 1 |
| 52 | 4UTD000252 | 空壓組件座 Trimming Cylinder Support | | 1 |
| 53 | 8MM06401210A | 螺絲 Screw (FT1103 M6-1*12) | | 3 |
| 54 | 4UTD000254 | 線夾 Cord Clamp | | 1 |
| 55 | 8MC04280807D | 螺絲 Screw (CT0130 M4-0.7*8) | | 1 |
| 56 | 4UTB01A03492 | 換向閥組 Electromagnetic Valve Asm. | | 1 |
| 57 | 4UTD01A0257 | 氣壓缸組 Cyliner Asm | | - |
| 58 | 8MK95301407A | 螺絲 Screw (CT0837 M4.5-0.75*14) | | 1 |
| 59 | 8MA03200306A | 螺帽 Nut (FTB0111 M3-0.5*3) | | 2 |
| 60 | | | | - |
| 61 | 4UTB010152 | 定位環 Collar | | 1 |
| 62 | 8MB03200506K | 螺絲 Screw (CT0525 M3-0.5*5) | | 2 |
| 63 | 4UTB020272 | 公端子 Power cord | | 2 |
| 64 | 4UTB01A0255 | 定位環組 Collar Asm | | 1 |
| 65 | 4UTD060278 | 氣壓缸 Cylinder | | - |
| 66 | 4UTD06A0279 | 氣壓缸組 Cyliner Asm | | - |

* For UTD07FC / UTD07BFC 用

| 機型 Model UTD07C / UTD07BC / UTD07FC / UTD07BFC | | | | |
|--|----|----|----|----|
| 序號 Ref.No. | 24 | 27 | 33 | 57 |
| 用量 Req. | 7 | 1 | 1 | 1 |
| 機型 Model UTD08C / UTD08BC / UTD08FC / UTD08BFC | | | | |
| 序號 Ref.No. | 24 | 27 | 65 | 66 |
| 用量 Req. | 6 | - | 1 | 1 |

4. UTD07 / UTD07B / UTD07F / UTD07BF

鬆線機構及更換零件 Thread Tension Components And Motor Components



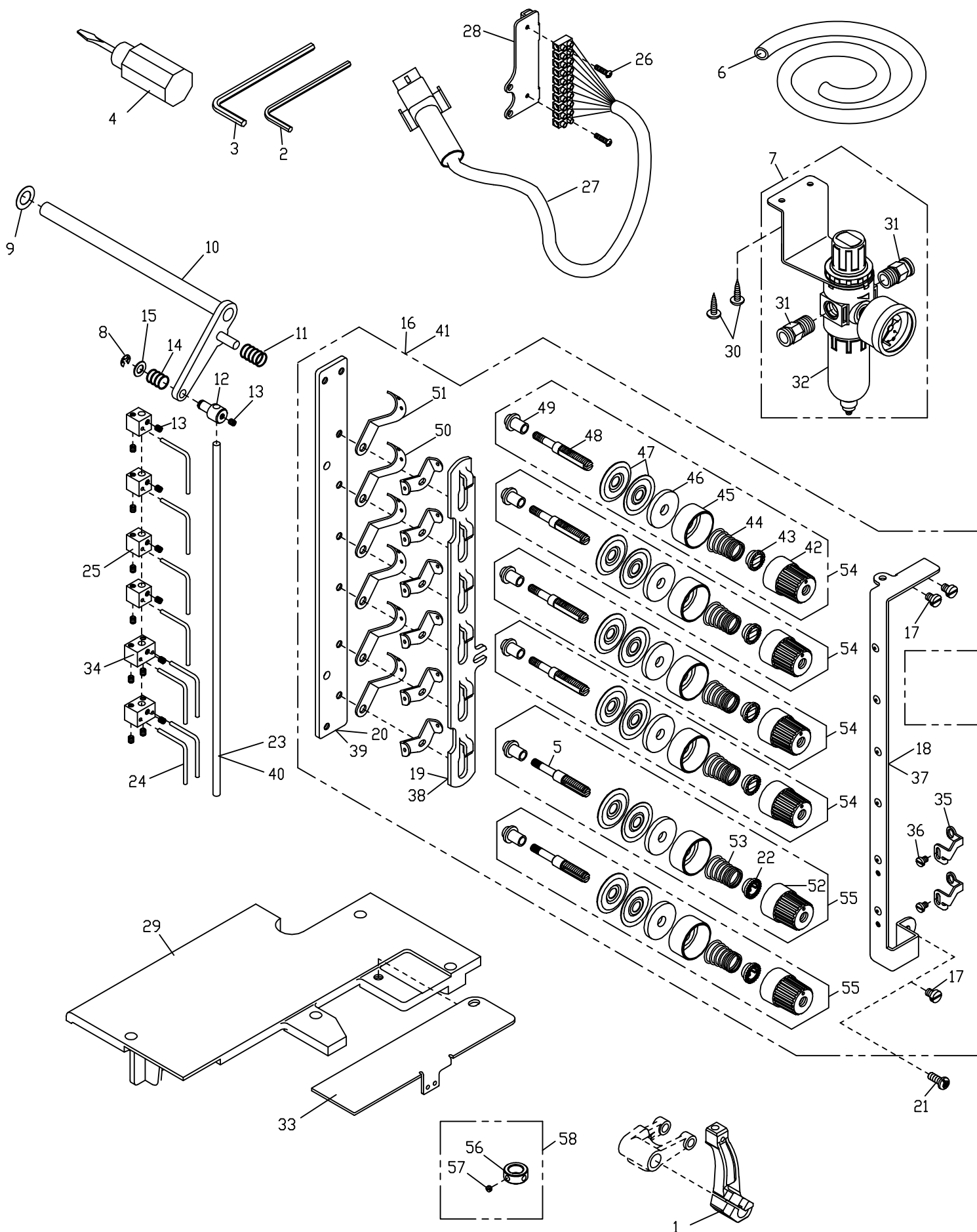
4. UTD07 / UTD07B / UTD07F / UTD07BF

鬆線機構及更換零件 Thread Tension Components And Motor Components

| 序號 Ref. No. | 物料編號 Parts No. | 名稱 Description | 單位用量 Amt. Req. |
|----------------|-------------------|--|-------------------|
| 1 | 4UTD0003511 | 擺動臂 Rocker Arm ----- | 1 |
| 2 | 66635 | 六角板手 Allen Key 2MM ----- | 1 |
| 3 | 66640 | 六角板手 Allen Key 2.5MM ----- | 1 |
| 4 | 66668 | 平口起子 Screwdriver ----- | 1 |
| 5 | 22000003611 | 螺樁 Stud ----- | - |
| *6 | 4UTB010430 | 空氣管 Air Tube ----- | 1 |
| *7 | 4UTB00A04582 | 調壓濾水閥組 Regulator Asm.----- | 1 |
| 8 | 90ER030 | E形扣環 E Ring ----- | 1 |
| 9 | 4UTB010459 | 墊圈 Washer ----- | 1 |
| 10 | 4UTB000410 | 曲柄 Tension Release Shaft ----- | 1 |
| 11 | 4UTB000411 | 彈簧 Spring ----- | 1 |
| 12 | 4UTB000412 | 接頭 Pin ----- | 1 |
| 13 | 8MN03200300A | 螺絲 Screw (CT0115 M3-0.5*3) (see the table) ----- | - |
| 14 | 4UTB000414 | 彈簧 Spring ----- | 1 |
| 15 | 2200001025 | 墊圈 Washer ----- | 1 |
| 16 | 4UTB02A0349 | 鬆線組 Theard Tension Mechanism ----- | 1 |
| 17 | 8MB04280507K | 螺絲 Screw (FT0235 M4-0.7*5) ----- | - |
| 18 | 4UTB000418 | 導線 Thread Guide Eyelet ----- | 1 |
| 19 | 4UTB000419 | 鬆線滑板 Release Wedge ----- | 1 |
| 20 | 4UTB000420 | 導線座 Tension Post Support ----- | 1 |
| 21 | 8MC04281007D | 螺絲 Screw (CT0113 M4-0.7*10) ----- | - |
| 22 | 2100001122 | 止滑齒輪 Bush ----- | - |
| 23 | 4UTB000423 | 導桿 Guide Bar ----- | 1 |
| 24 | 4UTB000424 | 鬆線桿 Release Bar (see the table) ----- | - |
| 25 | 4UTB000425 | 鬆線座 Thread Pull-off Block (see the table) ----- | - |
| 26 | 8MC03201006D | 螺絲 Screw (UTB0426 M3-0.5*10) ----- | 2 |
| 27 | 4UTB000427 | 換向閥用控制線 Terminal Holder ----- | 1 |
| 28 | 4UTD000328 | 端子座固定架 Terminal Holder Support----- | 1 |
| 29 | 4UTD0003291 | 封蓋 Rear Cover ----- | 1 |
| *30 | 8WD30000015B | 木螺絲 Wood Screw ----- | 2 |
| *31 | 4UTB010456 | 8mm空氣管接頭 Connector ----- | 2 |
| *32 | 4UTB0004321 | 調壓濾水閥 Regulator ----- | 1 |
| 33 | 4UTD0003091 | 防塵蓋 Dust Cover ----- | 1 |
| 34 | 4UTB000434 | 鬆線座 Thread Pull-off Block (see the table) ----- | - |
| 35 | 4UTB000435 | 導線 Thread Guide Eyelet ----- | 2 |
| 36 | 8MB03200306X | 螺絲 Screw (UTB0436 M3-0.5*3) ----- | 2 |
| 37 | 4UTB040318 | 導線 Thread Guide Eyelet ----- | 1 |
| 38 | 4UTB040319 | 鬆線滑板 Release Wedge ----- | 1 |
| 39 | 4UTB040320 | 導線座 Tension Post Support ----- | 1 |
| 40 | 4UTB040323 | 導桿 Guide Bar ----- | 1 |
| 41 | 4UTB04A0349 | 鬆線組 Theard Tension Mechanism ----- | 1 |

4. UTD07 / UTD07B / UTD07F / UTD07BF

鬆線機構及更換零件 Thread Tension Components And Motor Components



4. UTD07 / UTD07B / UTD07F / UTD07BF

鬆線機構及更換零件 Thread Tension Components And Motor Components

| 序號 Ref. No. | 物料編號 Parts No. | 名稱 Description | 單位用量 Amt.Req. |
|----------------|-------------------|---|------------------|
| 42 | 2100001121 | 張力調整螺帽 Tension Nut (Red) (SH1121) (see the table) ----- | - |
| 43 | 2200000303 | 套管 Bushing (see the table) ----- | - |
| 44 | 2100001123 | 彈簧 Spring (Red) (SH1123) (see the table) ----- | - |
| 45 | 2200000305 | 彈簧座 Spring Seat (see the table) ----- | - |
| 46 | 2100001127 | 羊毛氈 Felt (see the table) ----- | - |
| 47 | 2100001126 | 張力控制盤 Tension Disc (see the table) ----- | - |
| 48 | 22000003081 | 螺樁 Stud (see the table) ----- | - |
| 49 | 22000003091 | 隔環 Spacer (see the table) ----- | - |
| 50 | 2200000311 | 導線 Thread Guide (see the table) ----- | - |
| 51 | 2200000312 | 導線 Thread Guide (see the table) ----- | - |
| 52 | 2100001121A | 張力調整螺帽 Tension Nut (Yellow) (SH1121) (see the table) ----- | - |
| 53 | 2100041131 | 彈簧 Spring (Yellow) (SH1131) (see the table) ----- | - |
| 54 | 231A0001922 | 張力控制組 Tension Asm. (Red) (see the table) ----- | - |
| 55 | 220A0000315 | 張力控制組 Tension Asm. (Yellow) (see the table) ----- | - |
| 56 | 2200000812 | 限動環 Stop Collar ----- | 1 |
| 57 | 8MH85240300A | 螺絲 Screw (CT0813 M3.5-0.6*3) ----- | 2 |
| 58 | 220A0000839 | 定位環組 Collar Asm.----- | 1 |
| 59 | ----- | ----- | - |
| 60 | ----- | ----- | - |

機型 Model UTD07 / UTD07F

| 針數 Number of needle\ 序號 Ref. No. | 13 | 24 | 25 | 34 | 5 | 16 | 17 | 18 | 19 | 20 | 21 | 22 | 23 | 42 |
|----------------------------------|--------|-------|-------|-------|---|----|----|----|----|----|----|----|----|----|
| 2 Needle without Spreader | 8pcs. | 4pcs. | 2pcs. | 1pcs. | 2 | 1 | 2 | 1 | 1 | 1 | 1 | 2 | 1 | 3 |
| 3 Needle without Spreader | 10pcs. | 5pcs. | 3pcs. | 1pcs. | | | | | | | | | | |
| 2 Needle with Spreader | 11pcs. | 6pcs. | 2pcs. | 2pcs. | | | | | | | | | | |
| 3 Needle with Spreader | 13pcs. | 7pcs. | 3pcs. | 2pcs. | | | | | | | | | | |

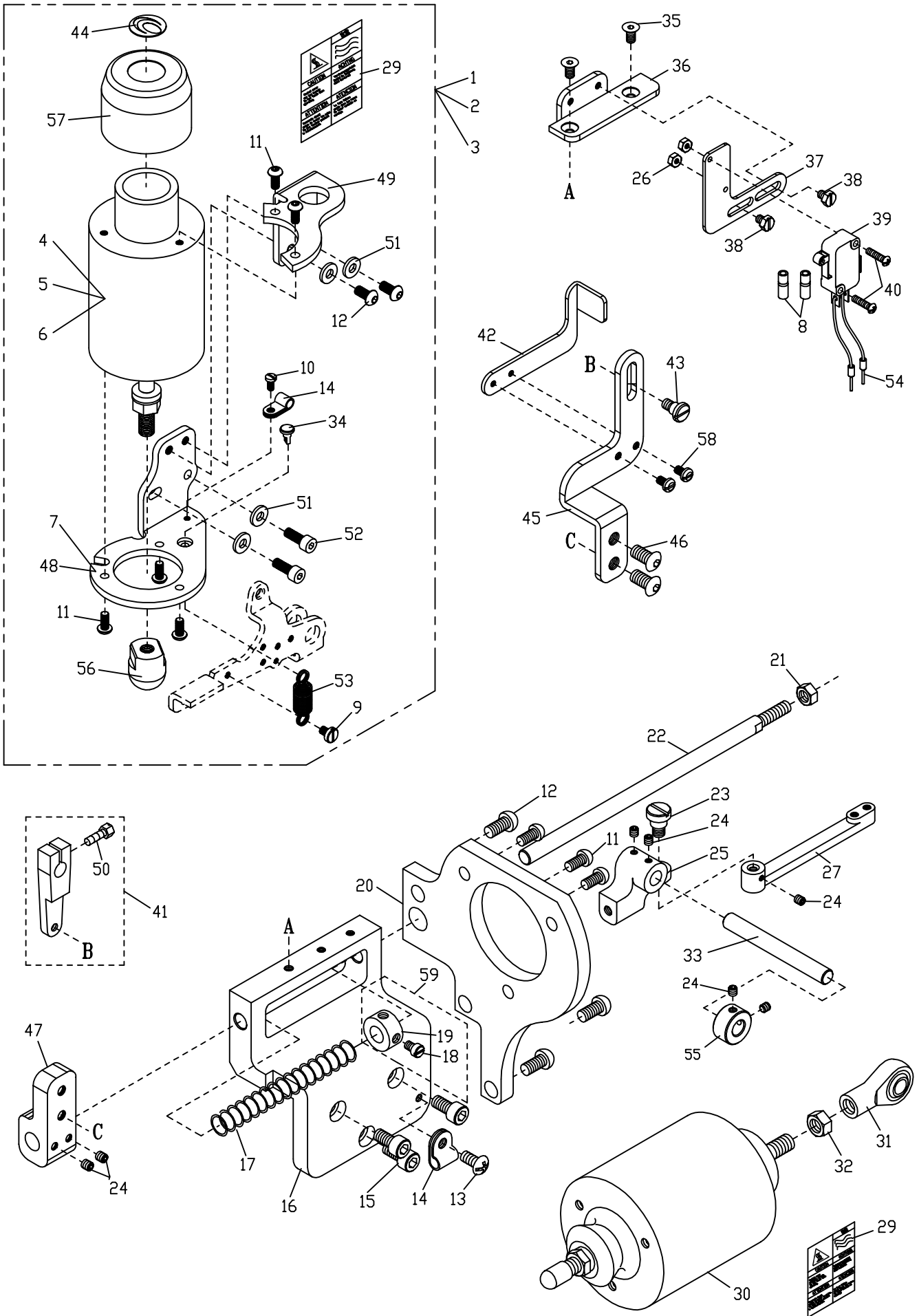
| 針數 Number of needle\ 序號 Ref. No. | 43 | 44 | 45 | 46 | 47 | 48 | 49 | 50 | 51 | 52 | 53 | 54 | 55 |
|----------------------------------|----|----|----|----|----|----|----|----|----|----|----|----|----|
| 2 Needle without Spreader | 3 | 5 | 5 | 5 | 10 | 3 | 5 | 5 | 5 | 2 | 2 | 3 | 2 |
| 3 Needle without Spreader | | | | | | | | | | | | | |
| 2 Needle with Spreader | | | | | | | | | | | | | |
| 3 Needle with Spreader | | | | | | | | | | | | | |

機型 Model UTD07B / UTD07BF (4針6線 4 Needle 6 Thread)

| 針數 Number of needle\ 序號 Ref. No. | 5 | 13 | 17 | 22 | 24 | 25 | 34 | 37 | 38 | 39 | 40 | 41 | 42 |
|----------------------------------|---|--------|----|----|-------|-------|-------|----|----|----|----|----|----|
| 4 Needle without Spreader | 2 | 12pcs. | 3 | 2 | 6pcs. | 4pcs. | 1pcs. | 1 | 1 | 1 | 1 | 1 | 4 |
| 4 Needle with Spreader | | 15pcs. | | | 8pcs. | 4pcs. | 2pcs. | | | | | | |

| 針數 Number of needle\ 序號 Ref. No. | 43 | 44 | 45 | 46 | 47 | 48 | 49 | 50 | 51 | 52 | 53 | 54 | 55 |
|----------------------------------|----|----|----|----|----|----|----|----|----|----|----|----|----|
| 4 Needle without Spreader | 4 | 6 | 6 | 6 | 12 | 4 | 6 | 6 | 6 | 2 | 2 | 4 | 2 |
| 4 Needle with Spreader | | | | | | | | | | | | | |

5. UTE07 / UTE07F / UTE08 / UTE08F 電控式組件 Electric Type Components



5. UTE07 / UTE07F / UTE08 / UTE08F 電控式組件 Electric Type Components

| 序號 Ref. No. | 物料編號 Parts No. | 名稱 Description | 單位用量 Amt.Req. |
|----------------|-------------------|-----------------------------------|------------------|
| *1 | PFE2P | 壓腳提昇組 Presser Foot Lifter,C.Set | 1 |
| 2 | PFE02 | 壓腳提昇組 Presser Foot Lifter,C.Set | 1 |
| ◎3 | PFE2F | 壓腳提昇組 Presser Foot Lifter,C.Set | 1 |
| ◎4 | 4PFE2F0118 | 磁力線圈 Presser Foot Lifter Solenoid | 1 |
| 5 | 4PFE010101 | 磁力線圈 Presser Foot Lifter Solenoid | 1 |
| *6 | 4PFE1P0121 | 磁力線圈 Presser Foot Lifter Solenoid | 1 |
| ◎7 | 4PFE2F0119 | 磁力線圈固定座 Bracker | 1 |
| 8 | 4UTB020228 | 絕緣套管 Bushing | 2 |
| 9 | 8MB05320710G | 螺絲 Screw (PFE020116 M5-0.8*7) | 1 |
| 10 | 8MC04280807A | 螺絲 Screw (CT0120 M4-0.7*8) | 1 |
| 11 | 8MP05321210A | 螺絲 Screw (UTB0340 M6-1*11.5) | 8 |
| 12 | 8MP06401211A | 螺絲 Screw (UTB0302 M6-1*12) | 5 |
| 13 | 8MC04280807D | 螺絲 Screw (CT0130 M4-0.7*8) | 2 |
| 14 | 4UTD000254 | 線夾 Cord Clamp | 2 |
| 15 | 8MM06401210A | 螺絲 Screw (FT1103 M6-1*12) | 3 |
| 16 | 4UTD000252 | 空壓組件座 Trimming Cylinder Support | 1 |
| 17 | 4UTC000112 | 彈簧 Spring | 1 |
| 18 | 8MC95300606F | 螺絲 Screw (CT0823 M4.5-0.75*5) | 1 |
| 19 | 4UTB010245 | 定位環 Collar | 1 |
| 20 | 4UTE0001201 | 磁力線圈座 Solenoid Barcket | 1 |
| 21 | 8MA08500513A | 螺帽 Nut (FTC10126 M8-1.25*5) | 1 |
| 22 | 4UTD000222 | 軸 Shaft | 1 |
| 23 | 4UTD000223 | 螺樁 Stud | 1 |
| 24 | 8MN04280400A | 螺絲 Screw (CT0229 M4-0.7*4) | - |
| 25 | 4UTE000125 | 承座 Plunger | 1 |
| 26 | 8MA03200306A | 螺帽 Nut (FTB0111 M3-0.5*3) | 2 |
| 27 | 4UTD0002271 | 連結桿 Connecting Rod | - |
| 28 | | | - |
| 29 | 4UTC000139 | 貼紙 Paster | 2 |
| 30 | 4UTC0001301 | 磁力線圈 Solenoid | 1 |
| 31 | 4UTB010326 | 球軸連桿 Plunger Connecting Rod | 1 |
| 32 | 8MA08500613A | 螺帽 Nut (RP10208 M8-1.25*6) | 1 |
| 33 | 4UTC0001251 | 軸 Shaft | 1 |
| 34 | 4PFE020102 | 接頭 Joint | 1 |
| 35 | 8MQ04280808A | 螺絲 Screw (UTB0109 M4-0.7*6) | 2 |
| 36 | 4UTC000132 | 基板 Base | 1 |
| 37 | 4UTD000237 | 安全開關座 safety Switch Bracket | 1 |
| 38 | 8MK04280507A | 螺絲 Screw (WPV0106 M4-0.7*5) | 2 |
| 39 | 4UTB000336 | 安全開關 Safety Switch | 1 |
| 40 | 8MC03201606D | 螺絲 Screw (UTB03351 M3-0.5*16) | 2 |
| 41 | 4UTB010337 | 曲柄 Tension Release Lever | 1 |
| 42 | 4UTD000242 | 支架 Holder Bracket | 1 |
| 43 | 8MB04280908G | 螺樁 Stud (UTB0339 M4-0.7*8) | 1 |
| 44 | 66480-11 | 銘板 Plate | 1 |
| 45 | 4UTD000245 | 連桿 Connecting Plate | 1 |
| 46 | 8MP05320810A | 螺絲 Screw (STB0117 M5-0.8*8) | 2 |
| 47 | 4UTD000247 | 連結塊 Connecting Block | 1 |
| 48 | 4PFE020103 | 磁力線圈固定座 Bracker | 1 |
| 49 | 4PFE020104 | 固定座 Bracker | 1 |
| 50 | 8MK95301407A | 螺絲 Screw (CT0837 M4.5-0.75*14) | 1 |
| 51 | 2100000323 | 墊圈 Washer (SH0323) | 4 |
| 52 | 8MM06401610A | 螺絲 Screw (CT0625 M6-1*16) | 2 |
| 53 | 4PFE010106 | 彈簧 Spring | 1 |
| 54 | 4UTB020272 | 公端子 Power cord | 2 |
| 55 | 4UTB010152 | 定位環 Collar | 1 |
| 56 | 4PFE010113 | 套管 Clutch Sleeve | 1 |
| 57 | 4PFE010119 | 護蓋 Cover | 1 |
| 58 | 8MB03200506K | 螺絲 Screw (CT0525 M3-0.5*5) | 2 |
| 59 | 4UTB01A0255 | 定位環組 Collar Asm. | 1 |

* 配合RP使用

◎ For UTE07F 用

機型 Model UTE07 / UTE07F

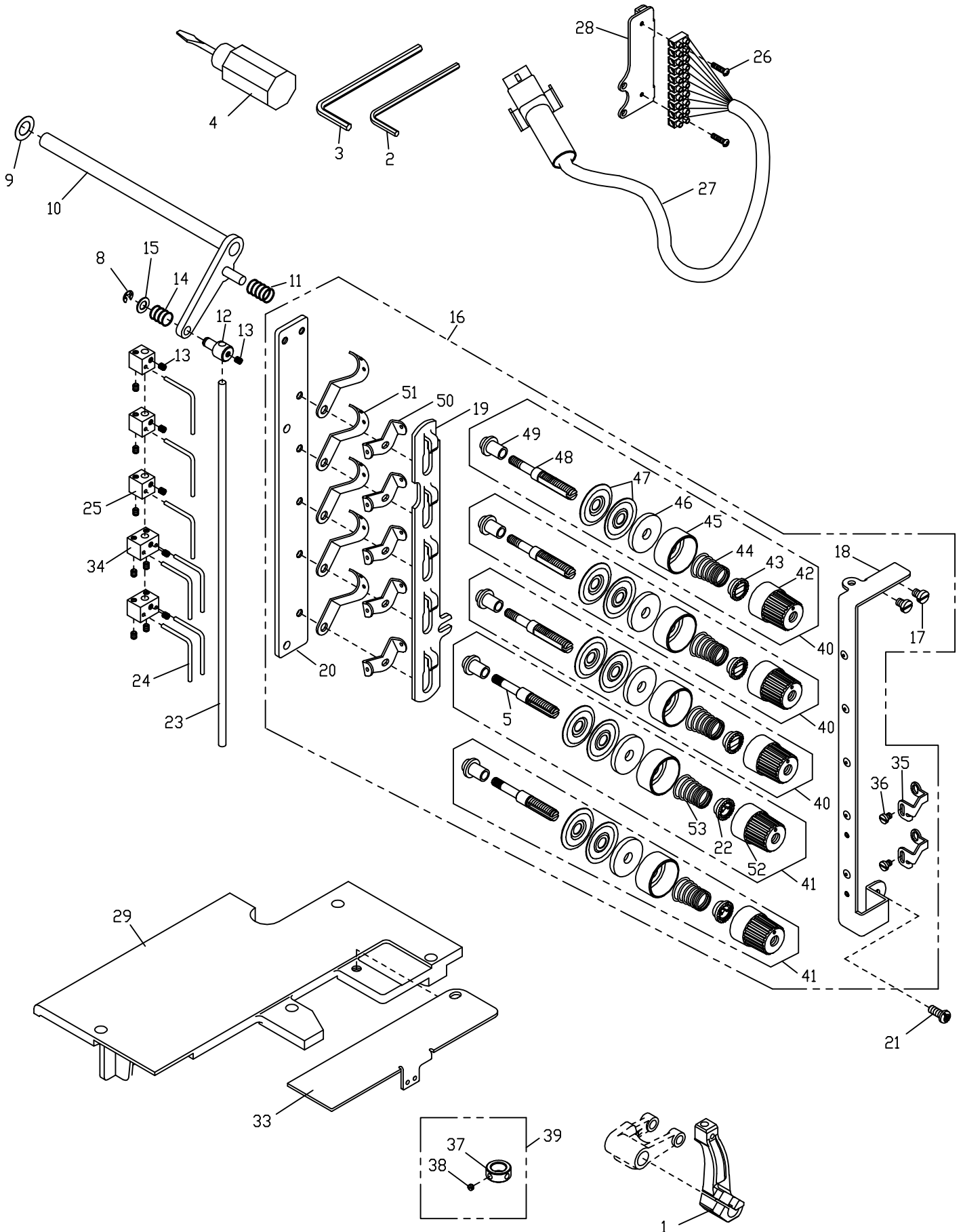
| 序號 Ref.No. | 24 | 27 |
|------------|----|----|
| 用量 Req. | 7 | 1 |

機型 Model UTE08 / UTE08F

| 序號 Ref.No. | 24 | 27 |
|------------|----|----|
| 用量 Req. | 6 | - |

6. UTE07 / UTE07F

鬆線機構及更換零件 Thread Tension Components And Motor Components



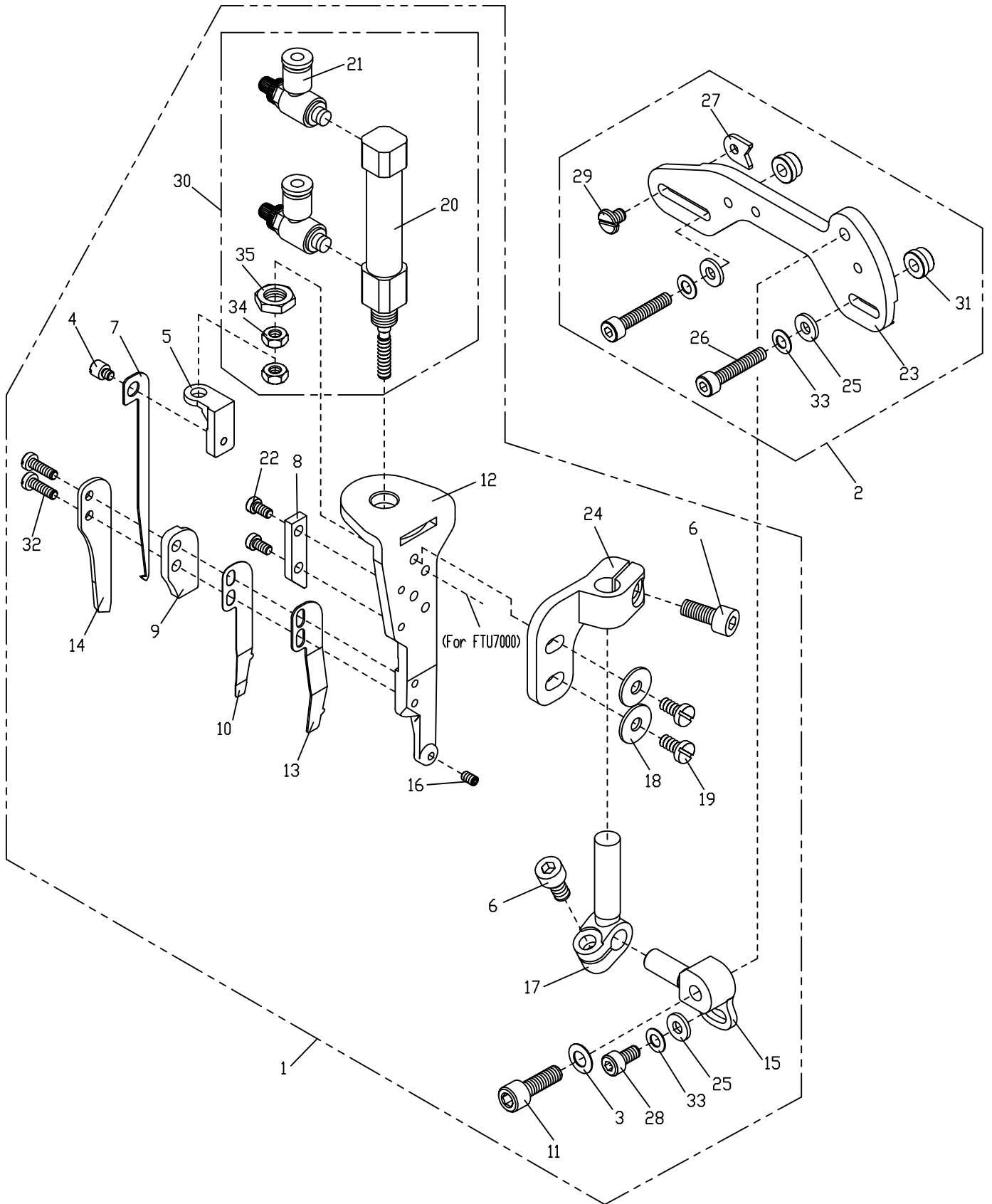
6. UTE07 / UTE07F

鬆線機構及更換零件 Thread Tension Components And Motor Components

| 序號 Ref. No. | 物料編號 Parts No. | 名稱 Description | 單位 Amt. | 用量 Req. |
|----------------|-------------------|---|------------|------------|
| 1 | 4UTD0003511 | 擺動臂 Rocker Arm | ----- | 1 |
| 2 | 66635 | 六角板手 Allen Key 2MM | ----- | 1 |
| 3 | 66640 | 六角板手 Allen Key 2.5MM | ----- | 1 |
| 4 | 66668 | 平口起子 Screwdriver | ----- | 1 |
| 5 | 22000003611 | 螺樁 Stud | ----- | 2 |
| 6 | ----- | ----- | ----- | - |
| 7 | ----- | ----- | ----- | - |
| 8 | 90ER030 | E 形扣環 E Ring | ----- | 1 |
| 9 | 4UTB010459 | 墊圈 Washer | ----- | 1 |
| 10 | 4UTB000410 | 曲柄 Tension Release Shaft | ----- | 1 |
| 11 | 4UTB000411 | 彈簧 Spring | ----- | 1 |
| 12 | 4UTB000412 | 接頭 Pin | ----- | 1 |
| 13 | 8MN03200300A | 螺絲 Screw (CT0115 M3-0.5*3) (see the table) | ----- | - |
| 14 | 4UTB000414 | 彈簧 Spring | ----- | 1 |
| 15 | 2200001025 | 墊圈 Washer | ----- | 1 |
| 16 | 4UTB02A0349 | 鬆線組 Theard Tension Mechanism | ----- | 1 |
| 17 | 8MB04280507K | 螺絲 Screw (FT0235 M4-0.7*5) | ----- | 2 |
| 18 | 4UTB000418 | 導線 Thread Guide Eyelet | ----- | 1 |
| 19 | 4UTB000419 | 鬆線滑板 Release Wedge | ----- | 1 |
| 20 | 4UTB000420 | 導線座 Tension Post Support | ----- | 1 |
| 21 | 8MC04281007D | 螺絲 Screw (CT0113 M4-0.7*10) | ----- | 1 |
| 22 | 2100001122 | 止滑齒輪 Bush | ----- | 2 |
| 23 | 4UTB000423 | 導桿 Guide Bar | ----- | 1 |
| 24 | 4UTB000424 | 鬆線桿 Release Bar (see the table) | ----- | - |
| 25 | 4UTB000425 | 鬆線座 Thread Pull-off Block (see the table) | ----- | - |
| 26 | 8MC03201006D | 螺絲 Screw (UTB0426 M3-0.5*10) | ----- | 2 |
| 27 | 4UTB000427 | 換向閥用控制線 Terminal Holder | ----- | 1 |
| 28 | 4UTD000328 | 端子座固定架 Termainal Holder Support | ----- | 1 |
| 29 | 4UTD0003291 | 封蓋 Rear Cover | ----- | 1 |
| 30 | ----- | ----- | ----- | - |
| 31 | ----- | ----- | ----- | - |
| 32 | ----- | ----- | ----- | - |
| 33 | 4UTD0003091 | 防塵蓋 Dust Cover | ----- | 1 |
| 34 | 4UTB000434 | 鬆線座 Thread Pull-off Block (see the table) | ----- | - |
| 35 | 4UTB000435 | 導線 Thread Guide Eyelet | ----- | 2 |
| 36 | 8MB03200306X | 螺絲 Screw (UTB0436 M3-0.5*3) | ----- | 2 |
| 37 | 2200000812 | 限動環 Stop Collar | ----- | 1 |
| 38 | 8MH85240300A | 螺絲 Screw (CT0813 M3.5-0.6*3) | ----- | 2 |
| 39 | 220A0000839 | 定位環組 Collar Asm. | ----- | 1 |
| 40 | 231A0001922 | 張力控制組 Tension Asm. (Red) (see the table) | ----- | 3 |
| 41 | 220A0000315 | 張力控制組 Tension Asm. (Yellow) (see the table) | ----- | 2 |
| 42 | 2100001121 | 張力調整螺帽 Tension Nut (Red) (SH1121) (see the table) | ----- | 3 |
| 43 | 2200000303 | 套管 Bushing (see the table) | ----- | 3 |
| 44 | 2100001123 | 彈簧 Spring (Red) (SH1123) (see the table) | ----- | 3 |
| 45 | 2200000305 | 彈簧座 Spring Seat (see the table) | ----- | 5 |
| 46 | 2100001127 | 羊毛氈 Felt (see the table) | ----- | 5 |
| 47 | 2100001126 | 張力控制盤 Tension Disc (see the table) | ----- | 10 |
| 48 | 22000003081 | 螺樁 Stud (see the table) | ----- | 3 |
| 49 | 22000003091 | 隔環 Spacer (see the table) | ----- | 5 |
| 50 | 2200000311 | 導線 Thread Guide (see the table) | ----- | 5 |
| 51 | 2200000312 | 導線 Thread Guide (see the table) | ----- | 5 |
| 52 | 2100001121A | 張力調整螺帽 Tension Nut (Yellow) (SH1121) (see the table) | ----- | 2 |
| 53 | 2100041131 | 彈簧 Spring (Yellow) (SH1131) (see the table) | ----- | 2 |

| 針數 Number of needle\序號 Ref. No. | 13 | 24 | 25 | 34 |
|---------------------------------|--------|-------|-------|-------|
| 2 Needle without Spreader | 8pcs. | 4pcs. | 2pcs. | 1pcs. |
| 3 Needle without Spreader | 10pcs. | 5pcs. | 3pcs. | 1pcs. |
| 2 Needle with Spreader | 11pcs. | 6pcs. | 2pcs. | 2pcs. |
| 3 Needle with Spreader | 13pcs. | 7pcs. | 3pcs. | 2pcs. |

7. STB04 上切線機構 Spreaer Thread Trimmer Components For STB04

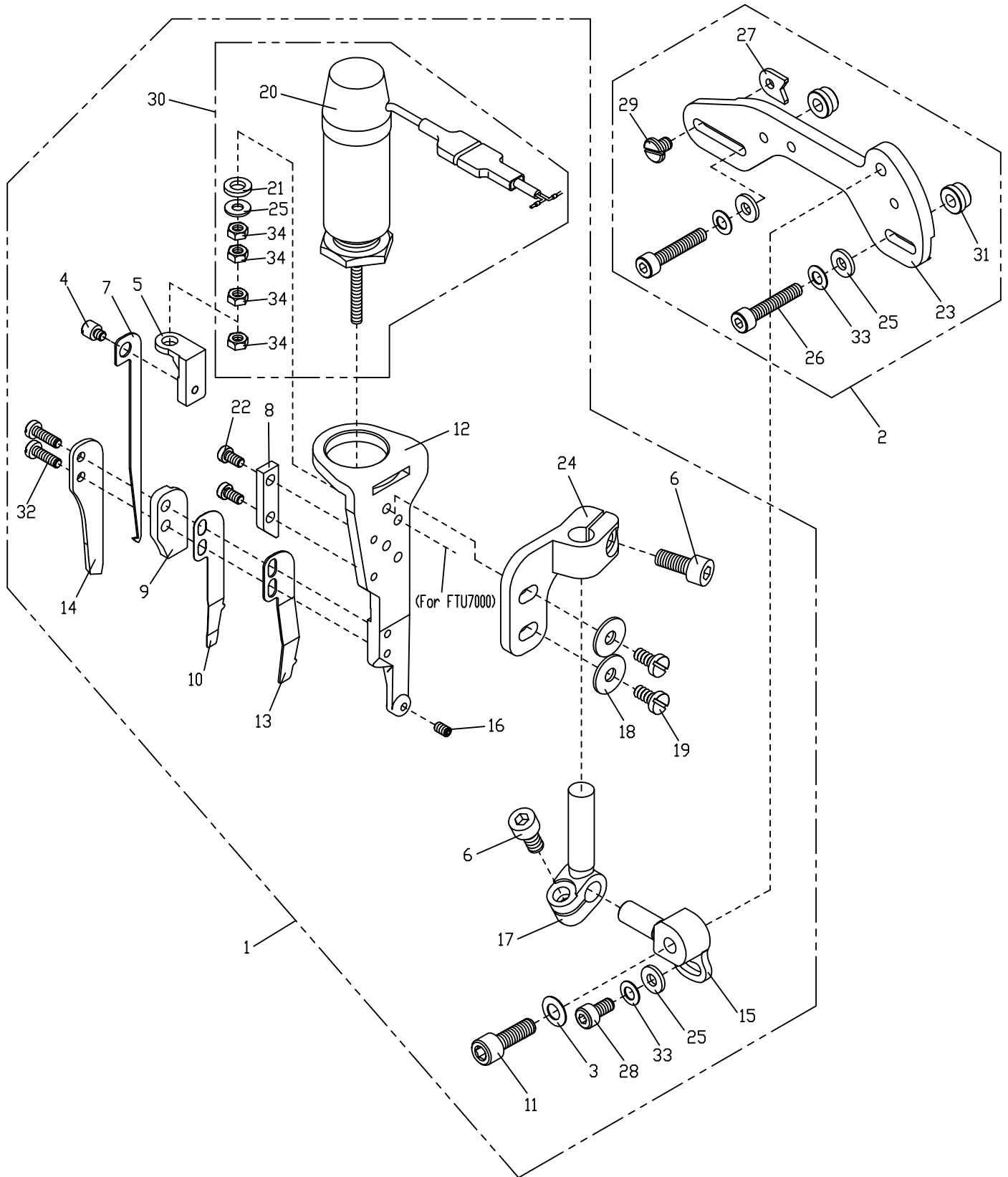


7. STB04 上切線機構 Sprearer Thread Trimmer Components For STB04

| 序號 Ref.No. | 物料編號 Parts No. | 名稱 Description | 單位用量 Amt.Req. |
|---------------|-------------------|---|------------------|
| 1 | 4STB04A0101 | 上切線組 Sprearer Thread Trimmer Components ----- | 1 |
| 2 | 4STB04A0102 | 支架組 Bracket Holder Asm. ----- | 1 |
| 3 | 2200000228 | 碟形墊圈 Disk Washer ----- | 1 |
| 4 | 8MB03200305X | 螺椿 Stud (STB40104 M3-0.5*3)----- | 1 |
| 5 | 4STB040105 | 活動刀座 Upper Movable Knife Base ----- | 1 |
| 6 | 8MM05321209A | 螺絲 Screw (FT0524 M5-0.8*12)----- | 2 |
| 7 | 4STB040107 | 活動刀 Upper Movable Knife ----- | 1 |
| 8 | 4STB040108 | 滑道 Slide Block ----- | 1 |
| 9 | 4STB040109 | 滑道 Knife Guide ----- | 1 |
| 10 | 4STB040110 | 簧片 Thread Clamp Spring----- | 1 |
| 11 | 8MM05321609A | 螺絲 Screw (RP10111 M5-0.8*16)----- | 1 |
| 12 | 4STB040112 | 氣缸座 Cylinder Holder ----- | 1 |
| 13 | 4STB040113 | 簧片 Knife Pressure Spring ----- | 1 |
| 14 | 4STB040114 | 固定刀片 Fixed Knife ----- | 1 |
| 15 | 4STB040115 | 曲軸 Lever ----- | 1 |
| 16 | 8MN03200500A | 螺絲 Screw (RP10331 M3-0.5*5)----- | 1 |
| 17 | 4STB040117 | 曲軸 Lever ----- | 1 |
| 18 | 2200000908 | 墊圈 Washer ----- | 2 |
| 19 | 8MC04280807A | 螺絲 Screw (CT0120 M4-0.7*8)----- | 2 |
| 20 | 4STB000120 | 氣壓缸 Cylinder----- | 1 |
| 21 | 4STB000121 | 節流閥 Speed Controller ----- | 2 |
| 22 | 8MB03200606K | 螺絲 Screw (CT1207 M3-0.5*6)----- | 2 |
| 23 | 4STB040123 | 支架 Bracket Holder ----- | 1 |
| 24 | 4STB040124 | 支架 Bracket Holder ----- | 1 |
| 25 | 2100000223 | 墊圈 Washer ----- | 3 |
| 26 | 8MM04282207A | 螺絲 Screw (MN210110 M4-0.7*22)----- | 2 |
| 27 | 4STB020127 | 定位塊 Knock Block ----- | 1 |
| 28 | 8MM04280807A | 螺絲 Screw (MT0124 M4-0.7*8) ----- | 1 |
| 29 | 8MB04280508A | 螺絲 Screw (UTB20127 M4-0.7*5.5)----- | 1 |
| 30 | 4STB00A0127 | 氣壓缸組 Cylinder Asm.----- | 1 |
| 31 | 4STB040131 | 隔環 Spacer ----- | 2 |
| 32 | 8MB03201006A | 螺絲 Screw (CT1204 M3-0.5*10) ----- | 2 |
| 33 | 90DW040 | 碟形墊圈 Disk Washer ----- | 3 |
| 34 | 8MA04280307A | 螺帽 Nut (CT0238 M4-0.7*3)----- | 2 |
| 35 | 8MA08400311A | 螺帽 Nut (UTA0318)----- | 1 |

STB04 : 用於 CTU9011 / CTU9711 / CXU2000 / FTU7000 機型

8. STC04 上切線機構 Spreaer Thread Trimmer Components For STC04

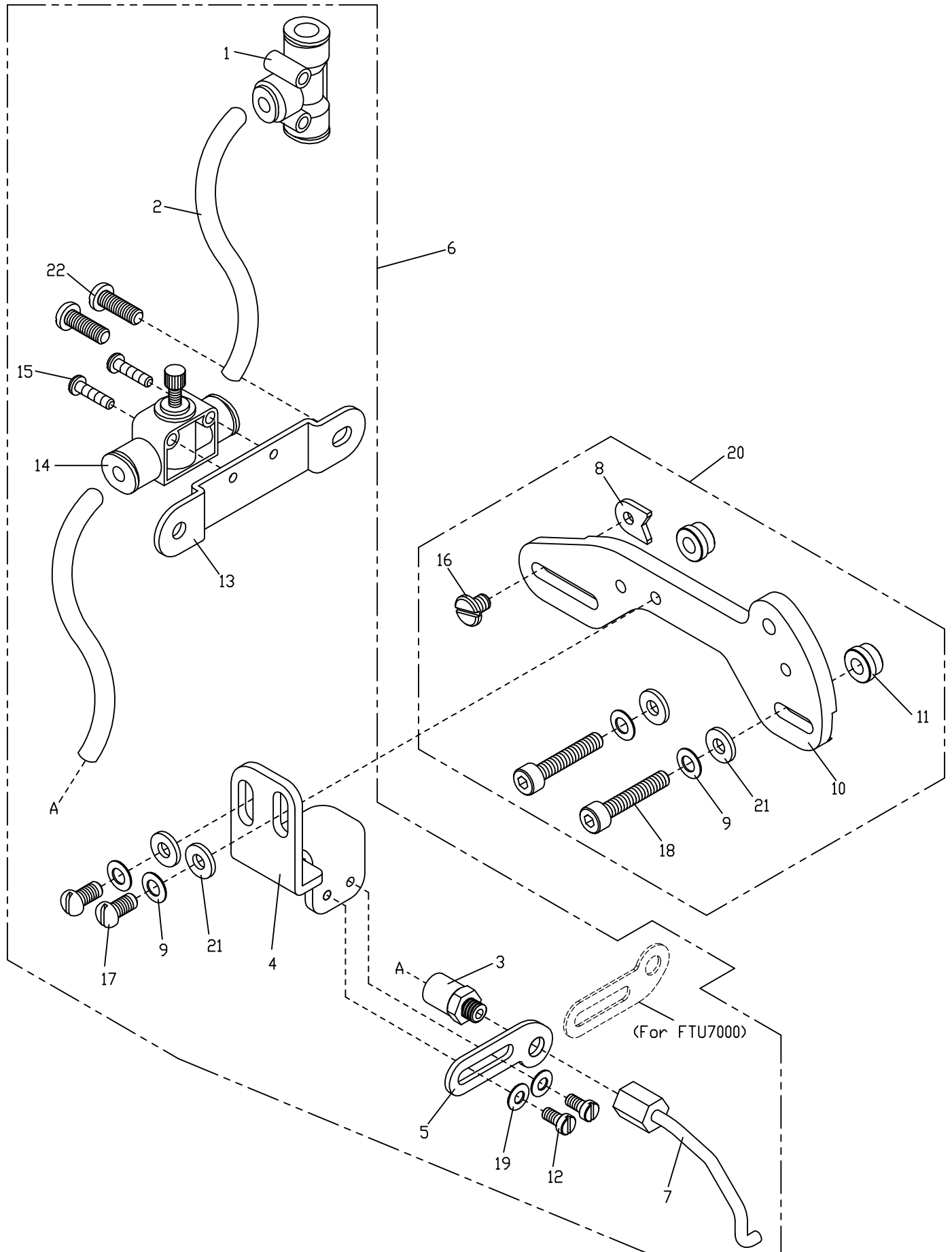


8. STC04 上切線機構 Sprearer Thread Trimmer Components For STC04

| 序號 Ref.No. | 物料編號 Parts No. | 名稱 Description | 單位用量 Amt.Req. |
|---------------|-------------------|---|------------------|
| 1 | 4STC04A0101 | 上切線組 Sprearer Thread Trimmer Components ----- | 1 |
| 2 | 4STB04A0102 | 支架組 Bracket Holder Asm. ----- | 1 |
| 3 | 2200000228 | 碟形墊圈 Disk Washer ----- | 1 |
| 4 | 8MB03200305X | 螺椿 Stud (STB40104 M3-0.5*3)----- | 1 |
| 5 | 4STB040105 | 活動刀座 Upper Movable Knife Base ----- | 1 |
| 6 | 8MM05321209A | 螺絲 Screw (FT0524 M5-0.8*12)----- | 2 |
| 7 | 4STB040107 | 活動刀 Upper Movable Knife ----- | 1 |
| 8 | 4STB040108 | 滑道 Slide Block ----- | 1 |
| 9 | 4STB040109 | 滑道 Knife Guide ----- | 1 |
| 10 | 4STB040110 | 簧片 Thread Clamp Spring----- | 1 |
| 11 | 8MM05321609A | 螺絲 Screw (RP10111 M5-0.8*16)----- | 1 |
| 12 | 4STC040112 | 磁力線圈座 Solenoid Bracket ----- | 1 |
| 13 | 4STB040113 | 簧片 Knife Pressure Spring ----- | 1 |
| 14 | 4STB040114 | 固定刀片 Fixed Knife ----- | 1 |
| 15 | 4STB040115 | 曲軸 Lever ----- | 1 |
| 16 | 8MN03200500A | 螺絲 Screw (RP10331 M3-0.5*5)----- | 1 |
| 17 | 4STB040117 | 曲軸 Lever ----- | 1 |
| 18 | 2200000908 | 墊圈 Washer ----- | 2 |
| 19 | 8MC04280807A | 螺絲 Screw (CT0120 M4-0.7*8)----- | 2 |
| 20 | 4STC0201201 | 磁力線圈 Solenoid ----- | 1 |
| 21 | 4STC000121 | 減震墊 Rubber Cushion ----- | 1 |
| 22 | 8MB03200606K | 螺絲 Screw (CT1207 M3-0.5*6)----- | 2 |
| 23 | 4STB040123 | 支架 Bracket Holder ----- | 1 |
| 24 | 4STB040124 | 支架 Bracket Holder ----- | 1 |
| 25 | 2100000223 | 墊圈 Washer ----- | 4 |
| 26 | 8MM04282207A | 螺絲 Screw (MN210110 M4-0.7*22)----- | 2 |
| 27 | 4STB020127 | 定位塊 Knock Block ----- | 1 |
| 28 | 8MM04280807A | 螺絲 Screw (MT0124 M4-0.7*8) ----- | 1 |
| 29 | 8MB04280508A | 螺絲 Screw (UTB20127 M4-0.7*5.5)----- | 1 |
| 30 | 4STC02A0130 | 磁力線圈組 Solenoid Asm. ----- | 1 |
| 31 | 4STB040131 | 隔環 Spacer ----- | 2 |
| 32 | 8MB03201006A | 螺絲 Screw (CT1204 M3-0.5*10) ----- | 2 |
| 33 | 90DW040 | 碟形墊圈 Disk Washer ----- | 3 |
| 34 | 8MA04280207A | 螺帽 Nut (STC020102 M4-0.7*2.5)----- | 4 |

STC04 : 用於 CTU9011 / CTU9711 / CXU2000 / FTU7000 機型

9. WPC03 吹氣式撥線裝置 WPC03 Air-Wipe Components



9. WPC03 吹氣式撥線裝置 WPC03 Air-Wipe Components

| 序號 Ref. No. | 物料編號 Parts No. | 名稱 Description | 單位用量 Amt.Req. |
|----------------|-------------------|--------------------------------------|------------------|
| 1 | 4WPC000101 | T 型管接頭 T Connector ----- | 1 |
| 2 | 4WPC000102 | 空氣管 Air Tube ----- | 2 |
| 3 | 4WPC000103 | 接頭 Controller ----- | 1 |
| 4 | 4WPC030104 | 支持臂 Holder Arm ----- | 1 |
| 5 | 4WPC030105 | 支架 Holder Bracket ----- | 1 |
| 6 | 4WPC03A0106 | 支架組 Bracket Holder Asm. ----- | 1 |
| 7 | 4WPC030107 | 吹氣管 Blow Tube ----- | 1 |
| 8 | 4STB020127 | 定位塊 Knock Block ----- | 1 |
| 9 | 90DW040 | 盂型墊圈 Dick Washer ----- | 4 |
| 10 | 4STB040123 | 支架 Bracket Holder ----- | 1 |
| 11 | 4STB040131 | 隔環 Spacer ----- | 2 |
| 12 | 8MB03200606K | 螺絲 Screw (CT1207 M3-0.5*6) ----- | 2 |
| 13 | 4WPC0001131 | 支架 Holder Bracket ----- | 1 |
| 14 | 4WPC000114 | 節流閥 Speed Controller ----- | 1 |
| 15 | 8MC03201306D | 螺絲 Screw (WPC0115 M3-0.5*12.5) ----- | 2 |
| 16 | 8MB04280508A | 螺絲 Screw (UTB20127 M4-0.7*5.5)----- | 1 |
| 17 | 8MB04280807K | 螺絲 Screw (CT0215 M4-0.7*8)----- | 2 |
| 18 | 8MM04282207A | 螺絲 Screw (MN210110 M4-0.7*22)----- | 2 |
| 19 | 90DW030 | 碟形墊圈 Disk Washer ----- | 2 |
| 20 | 4STB04A0102 | 支架組 Bracket Holder Asm. ----- | 1 |
| 21 | 2100000223 | 墊圈 Washer ----- | 4 |
| 22 | 8MC04281207D | 螺絲 Screw (CT0102 M4-0.7*12)----- | 2 |

WPC03 : 用於 CTU9011 / CTU9711 / CXU2000 / FTU7000 機型